

# WEWA-TV 17" (43,18 cm) Android PCAP Industrie Touchscreen-PC



Waterproof Full Flat IP65 Seamless Front

**WEWA AG**  
**WEWA-TV**  
get in touch

- 17", 1280x1024, 4:3 Aspect Ratio
- A83T CPU, Optional A64/RK3188/RK3288/RK3399
- 2G DDR3 (Up to 4G DDR3), 8G EMMC (Up to 16G/32G)
- OS: Android 4.4, Optional Android 5.1/6.0/7.1
- 3mm Ultra Thin Front Bezel, Aluminum Alloy Enclosure
- Item number: WT017 OTPCPCAPNW

☀ Optional: Sunlight Readable(1000cd/m<sup>2</sup> Brightness)

## Feature



- WiFi (2.4G)
- Power Button Embedded Holes
- Waterproof Speaker Hole
- Excellent Heat Dissipation Design
- VESA Holes (75\*75mm, 100\*100mm)

**OEM/ODM:**  
Enclosure Size  
Whole Waterproof  
5G WIFI



## Interfaces

WiFi + Bluetooth



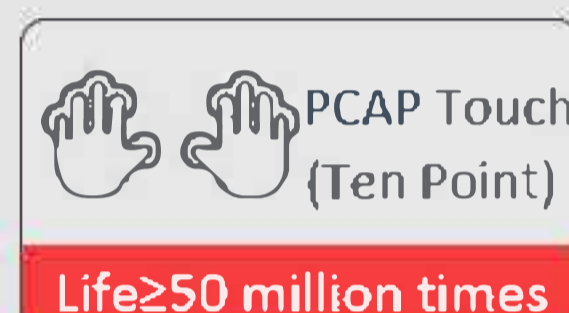
**OEM/ODM:**  
COM (RS232, RS485/RS422 Can Customize)  
2\*LAN (RJ45)  
GPIO/LPT/Msata/Mini-PCle

24V Power Supply

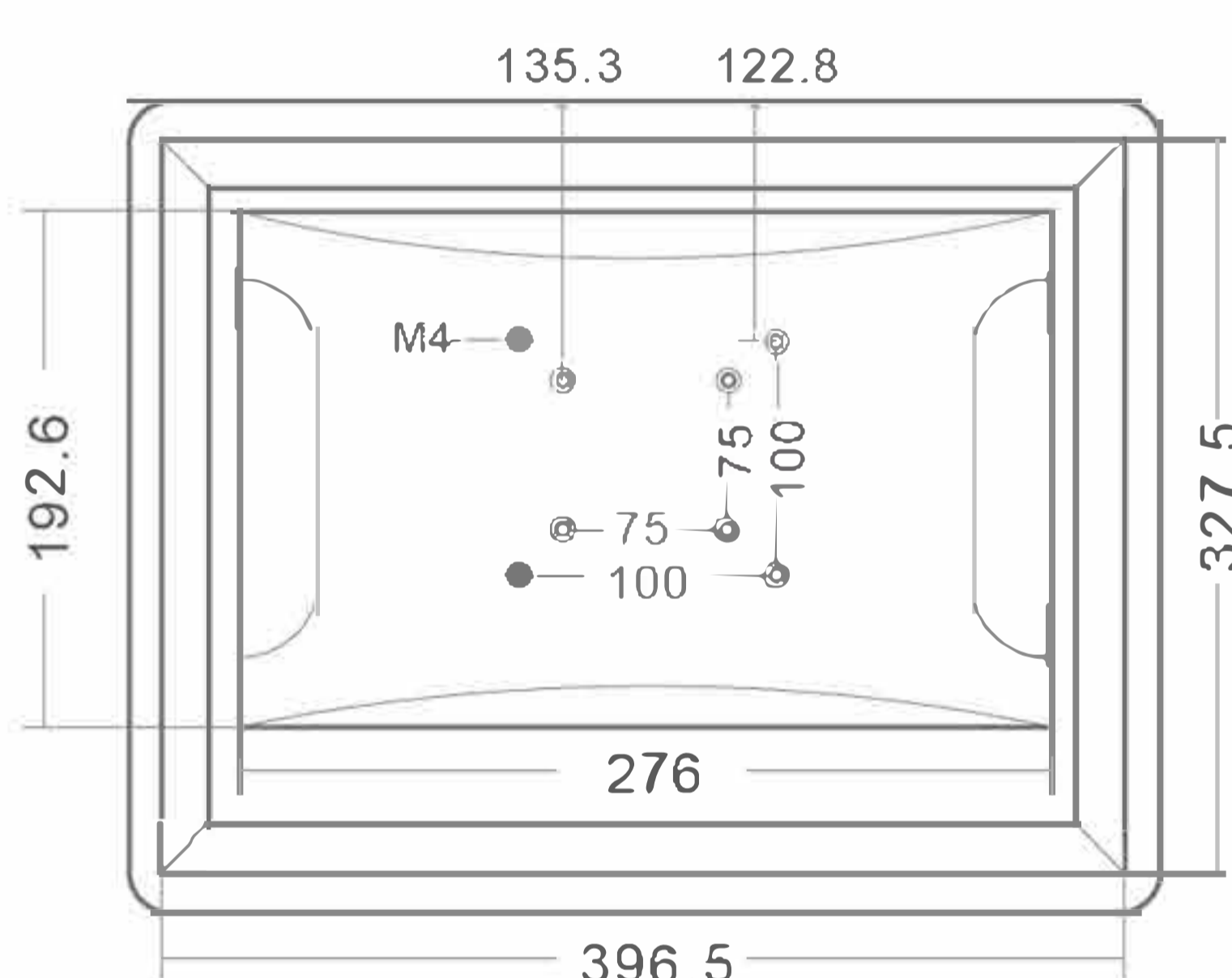
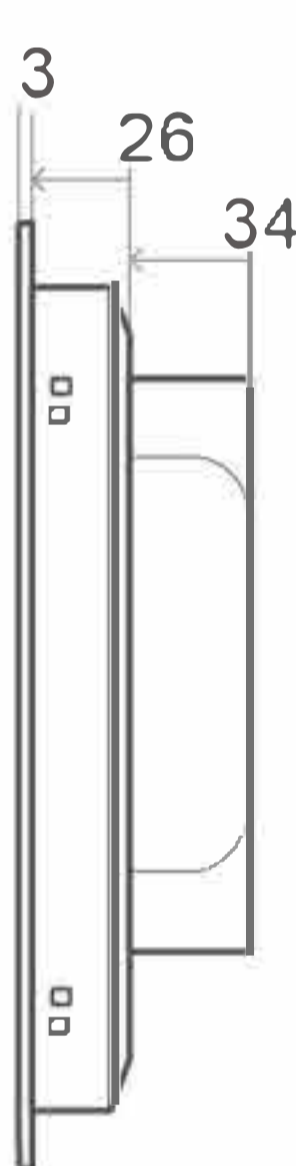
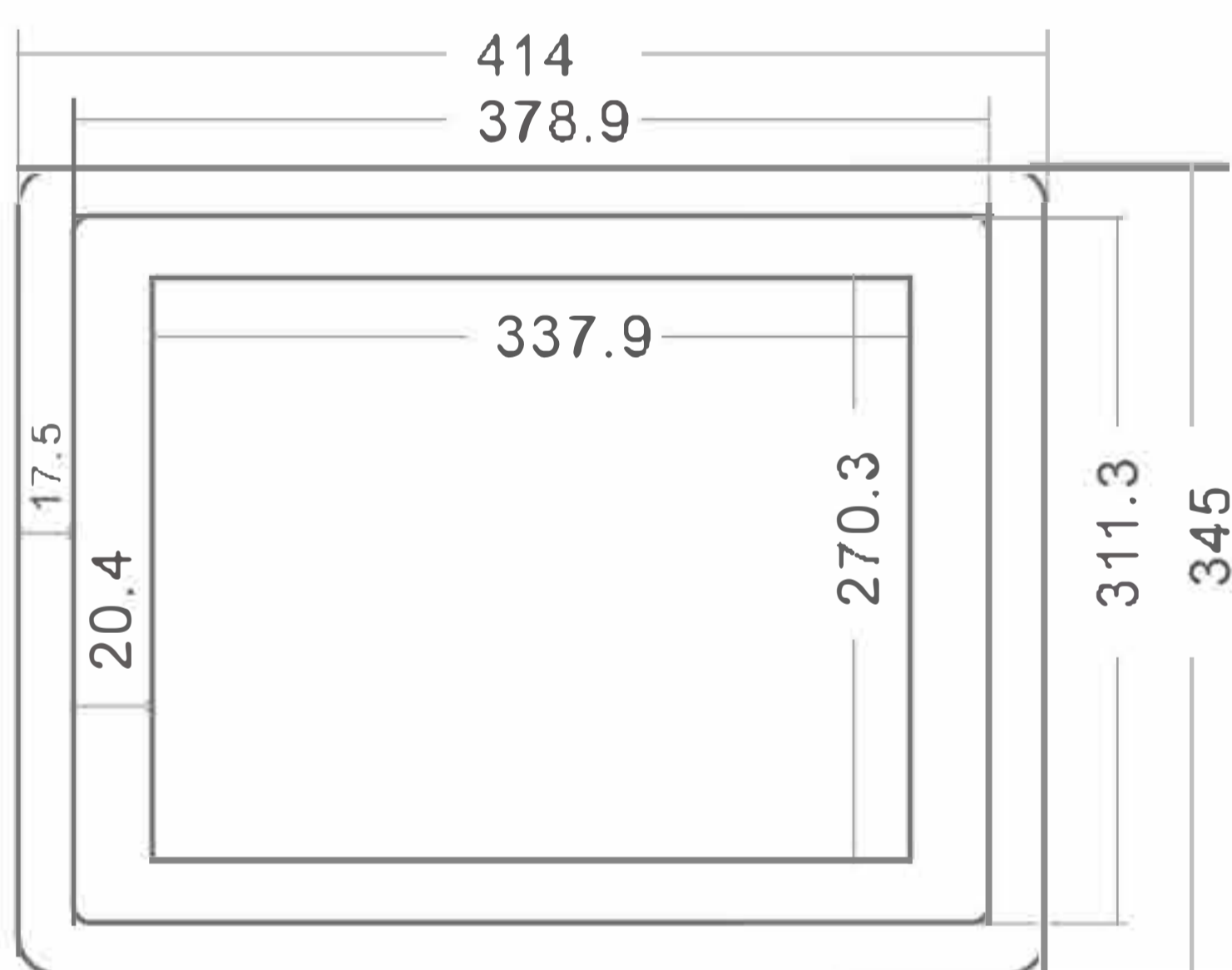
Industrial Ports

## Touch Type

Front Panel IP65 Design, Water and Dust Proof



## Dimension



## Installation



Embedded With Buckles(Default)



Folding Bracket Stand(Optional)



Wall Hung Kits(Optional)



Match VESA ARM(Optional)

Display	Panel Type	TFT LED (A+ grade)
	Screen Size	17 inch
	Screen Ratio	4:3
	Resolution	1280x1024
	Contrast	1000:1
	Display Colors	16.7 M
	Brightness	400cd/m <sup>2</sup> (1000cd/m <sup>2</sup> for customized)
	Screen Pixel Pitch	0.264 mm
	Viewing Angle	(H)160 x (V)160
	Touch Screen Type	No Touch/Capacitive Touch
	Response Time	5ms
LED Backlight Lifespan	50,000 h	
Motherboard	Color	Silver or Black (Can Customized)
	Motherboard	A83T 8-core Cortex-A7 2.0GHz(Optional Up to A64/RK3188/RK3288/RK3399)
	RAM	2G DDR3(Optional Up to 4G DDR3)
	ROM	8G EMMC (Optional Up to 16G/32G EMMC)
	WiFi & Bluetooth	Built-in
	I/O	12V Power Adapter x1/USB2.0 x2/LAN x1(Optional: LANx2)/Audio x1/HDMI x1/SD card slot/SIM card slot/COM x2 (Can Customized)
Others	OS	Android 4.4 (Optional: Android 5.1/6.0/7.1)
	Power Supply	External 12V/5A Power Adapter (Optional: POE Power Supply)
	Power Consumption	≤ 60W
	Housing Material	Aluminum Alloy Enclosure
	Temperature	Operation: -10°C~60°C, Transportation & Storage: -20°C~60°C
	Humidity	Operation: 40%~65%, Transportation & Storage: 35%~80%
	Installations	Default: Embedded with Buckles Optional: Wall Hung Kits/Desktop Stand/Folding Bracket Stand/VESA Mounted
	Certificates	CE/FCC/RoHS
Warranty	2 Year	
Packing List	Power Adapter/Buckles/Manual	